

FCB-SE600

Color Block Camera

SONY
make.believe

Sony is expanding its popular FCB block camera series with the introduction of a highly compact, all-in-one color camera - the FCB-SE600. The FCB-SE600 is cleverly designed with a 3x vari-focal lens, Exmor™ sensor, and image processor and interface (I/F) board, all combined in an ultra-compact body. Its petite design goes a long way to reducing the size of finished OEM products.

Ideally suited to surveillance applications, the FCB-SE600 incorporates a 1/2.8-type Exmor CMOS sensor that achieves Full HD resolution (1080i/60) and superb sensitivity in low light environments. In addition, the FCB-SE600 features a 3x vari-focal lens with motorized zoom capability and One push AF (auto focus) function. The FCB-SE600 also inherits some of the unique features of Sony's popular FCB Series cameras such as Auto ICR, Wide-D, Privacy Zone Masking, and Noise Reduction.

These outstanding features and benefits, coupled with its smart size, make the FCB-SE600 ideal for demanding applications such as video surveillance, public transportation, sports, video conferencing, and more.



KEY FEATURES

Compact Size

The FCB-SE600 is a highly compact, all-in-one camera that can be easily integrated into space-restricted environments such as a 3" mini-dome enclosure.

Motorized Zoom and One push AF

The FCB-SE600 features a wide-angle 3x vari-focal lens which allows for motorized zoom and focus even when in 90-degree wide view. This camera can be easily integrated in mini-domes requiring a wider view of monitoring areas. In addition, the camera offers a One push AF function for ease of use.

Full HD Superb Picture Quality

Boasting approximately 3.27 megapixels, the FCB-SE600 produces Full HD (1080i/60) image quality to deliver high-resolution images for demanding applications.

High Sensitivity

By incorporating Sony's reputable Exmor CMOS sensor technology, the FCB-SE600 captures high-quality images even in low light environments.

Rich Security Features

The FCB-SE600 camera includes the renowned security features of the FCB Series, such as Auto ICR, Wide-D, Privacy Zone Masking, Motion Detection, Temperature Readout, and Noise Reduction. These features enable the camera to be used in a wide variety of security applications without the need for additional external devices or software.

Exmor

SPECIFICATIONS

Camera	
Image Sensor	1/2.8-type Exmor CMOS
Image Sensor (Number of effective pixels)	Approx. 3.27 Megapixels
Signal System (HD)	1080p/30, 1080p/25, 1080i/60 (30 PsF), 1080i/50 (25 PsF) 720p/60, 720p/50, 720p/30, 720p/25
Minimum illumination (50%, High sensitivity mode)	0.25 lx (F1.2, ICR off) 0.03 lx (F1.2, ICR on)
Minimum illumination (50%, Normal mode)	1.0 lx (F1.2, ICR off) 0.1 lx (F1.2, ICR on)
Recommended Illumination	100 lx to 100,000 lx
Gain	Auto/Manual : -3 dB to +28 dB, +2 dB step/total 16 steps Max. Gain Limit: (+6 dB to +28 dB, +2 dB step/total 12 steps)
Shutter Speed	1/1 to 1/10,000 s, total 22 steps
Sync System	Internal
AE Control	Auto, Manual, Priority mode (shutter priority & iris priority), Bright, EV compensation, Slow AE
Backlight Compensation	Yes
Aperture Control	16 steps
White Balance	Auto, ATW, Indoor, Outdoor, Outdoor Auto, Sodium Vapor Lamp (Fix/Auto), One-push, Manual
Lens	Motorized 3x Vari-focal lens f=3.0 mm (wide) to 9.0 mm (tele) F1.2 to F2.1
Digital Zoom	12x (36x with optical zoom)
Focusing System	One push AF, Manual focus
Angle of View (H, 1080p mode)	Approx. 90° (wide)
Angle of View (H, 720p mode)	Approx. 60° (wide)
Minimum Object Distance	300 mm
Camera Features	
Auto ICR	Yes
Wide-D*	Yes (On/Off/Auto)**
Noise Reduction	Yes (On/Off, On: Level 5 to 1)
Image Stabilization	No
Digital Output	Yes
Spherical Privacy Zone Masking	Yes
Motion Detection	Yes
Alarm	No
Slow AE Response	Yes (Approx. 5 minutes)
Picture Effects	Yes (E-Flip, Nega Art, Black & White, Mirror image, Color enhancement)
Picture Freeze	Yes
Slow Shutter	Yes (Auto: Up to 1/4s for 1080p/30, 1/3s for 1080p/25)
Temperature Readout	Yes
Title Display	Yes (20 characters/line, max. 11 lines)
Camera Mode Display	Yes
Key Switch Control	Yes
Camera Operation Switch	No
Preset	6 positions
Interface	
Video Output	Digital Y/Pb/Pr 4:2:2, LVDS***
Camera Control Interface	VISCA (CMOS 5 V level) Baud rate: 9.6 Kbps, 19.2 Kbps, 38.4 Kbps Stop bit: 1 bit
General	
Power Requirements	5 V to 5.5 V DC
Power Consumption	Less than 1.2 W (zoom/focus inactive)
Operating Temperature	-5 °C to +60 °C
Storage Temperature	-20 °C to +60 °C
Operating Humidity	20% to 80%
Storage Humidity	20% to 95%
Dimensions (W x H x D)	50.0 x 47.6 x 53.4 mm (2 x 1 7/8 x 2 1/8 inches)
Mass	Approx. 83 g (3 oz)

* Wide dynamic range
 ** Half frame rate at Off mode 15fps in 1080p/30
 *** SAV/EAV signal is not supported

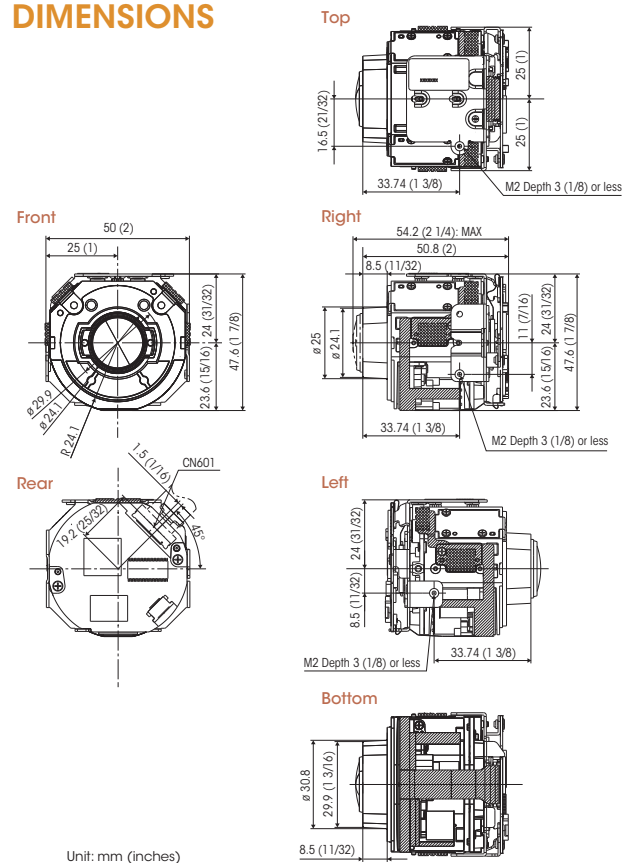
PIN ASSIGNMENTS

CN601

30-pin Micro Coaxial Connector (USL00-30L-C, KEL Corp.)
 (for power supply/communication/video out (digital))

Pin No.	Name	Level
1	TXOUT3+	LVDS
2	TXOUT3-	LVDS
3	TXCLKOUT+	LVDS
4	TXCLKOUT-	LVDS
5	TXOUT2+	LVDS
6	TXOUT2-	LVDS
7	TXOUT1+	LVDS
8	TXOUT1-	LVDS
9	TXOUT0+	LVDS
10	TXOUT0-	LVDS
11	GND	
12	TxD	CMOS 5 V (at 5 V DC IN, Low: Max. 0.1 V, High: Min. 4.4 V)
13	RxD	CMOS 5 V (at 5 V DC IN, Low: Max. 0.8 V, High: Min. 2.0 V)
14	DC IN	5 V to 5.5 V DC
15	DC IN	5 V to 5.5 V DC
16	DC IN	5 V to 5.5 V DC
17	DC IN	5 V to 5.5 V DC
18	DC IN	5 V to 5.5 V DC
19	GND	GND
20	GND	GND
21	GND	GND
22	GND	GND
23	GND	GND
24	GND	GND
25	ONE PUSH AF	Active: Low (GND) Normal: Open
26	RESET IN	RESET: Low (GND) Normal: Open
27	FOCUS FAR	Active: Low (GND) Normal: Open
28	FOCUS NEAR	Active: Low (GND) Normal: Open
29	ZOOM WIDE	Active: Low (GND) Normal: Open
30	ZOOM TELE	Active: Low (GND) Normal: Open

DIMENSIONS



Distributed by

©2011 Sony Corporation. All rights reserved.
 Reproduction in whole or in part without written permission is prohibited.
 Features and specifications are subject to change without notice.
 Non-metric weights and measures are approximate and may vary.
 SONY, make.believe and Exmor are registered trademarks of Sony Corporation.
 All other trademarks are the property of their respective owners.