



MM-22C

HD Medical LCD Display

- 22" HD Surgical-Grade LCD Display
- Meets UL 60601-1 Specifications
- HD Resolution: 1680x1050
- VGA and DVI Video Inputs
- Dual Speakers
- Can Be Customized to Meet Your Needs
- 3 Year Warranty

The TRU-Vu MM-22C wide-screen 22" HD medical display offers a high-quality, low-cost solution for surgical imaging environments. It is ideal for OR/ER/ICU, patient information and monitoring, PACS, endoscopic cameras, and other medical applications. The high-brightness, high resolution monitor delivers excellent image quality and color contrast, enabling surgeons to make better/faster decisions and perform operations with maximum accuracy. The MM-22C accepts both HD and SD video inputs. The robust yet lightweight design and VESA-compliant mounting holes enable flexible mounting options for mobile carts, wall-mount and booms. Backed by our 3-Year Warranty, the MM-22C provides the performance and durability required for demanding OR, ER, patient information, PACS, and nursing station applications.

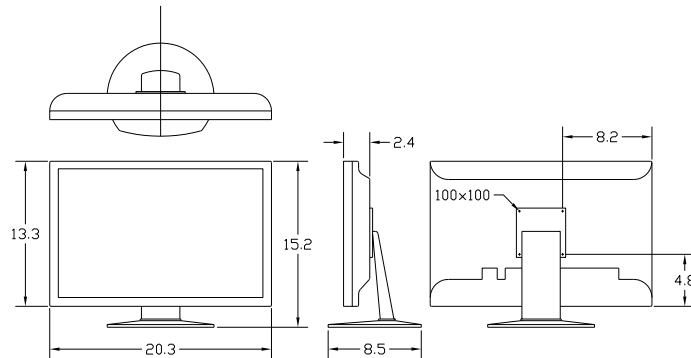
TRU-Vu customizable LCD monitors are specifically designed for use in demanding medical, industrial and commercial applications. Every TRU-Vu monitor utilizes industrial-grade components and high-end LCD panels not found in retail/consumer-grade monitors. This ensures superior image quality, improved performance and greater durability. Visit www.TRU-VuMonitors.com for more details.

Specifications

Specifications	
LCD Panel	22" TFT Color LCD
Resolution	1680 x 1050 (WSXGA)
Viewing Area	18.65" (H) x 11.65" (V)
Pixel Pitch	0.282 mm
Display Colors	16.7 Million
Aspect Ratio	16:10 Widescreen
Brightness	300 nit
Contrast Ratio	1,000:1
Viewing Angle	178° (H) x 178° (V)
Response Time	5 msec
Control	OSD (On-Screen Display)
Video Inputs	VGA (15-pin, D-subconnector) and DVI (DVI connector)
Supported Resolutions	640 x 350 up to 1680 x 1050
Power Requirement	100-240 VAC, 1.6-1.1A, 50/60 Hz
Power Consumption	60 W (max)
Plug & Play	DDC 1/2B
Enclosure	ABS; IP22
Mounting	Included Base or 100mm x 100mm VESA Hole Pattern
Operating Temperature	32° to 122° F / 0° to 50° C
Humidity	5-90% RH
Approvals	UL 60601-1, EN 60601-1, EN 60601-2, UL/cUL, FCC, CE
Dimensions	20.3" (H) x 13.3" (W) x 2.4" (D) / 515.62 (H) x 337.82 (W) x 60.95 (D) mm
Weight	13 lbs. / 5.9 kg

MM-22C 22" HD Medical LCD Display

Dimensions:



Standard Accessories:

- Green Dot Hospital-Grade Power Cord
- VGA Cable
- Tabletop Stand

Available Options:

- Private Label
- Customer Specific Modifications